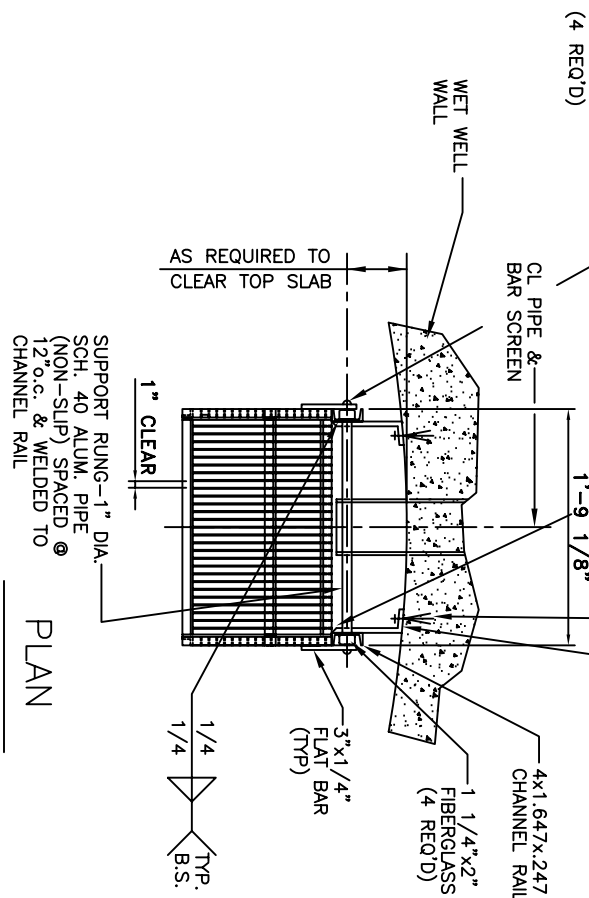
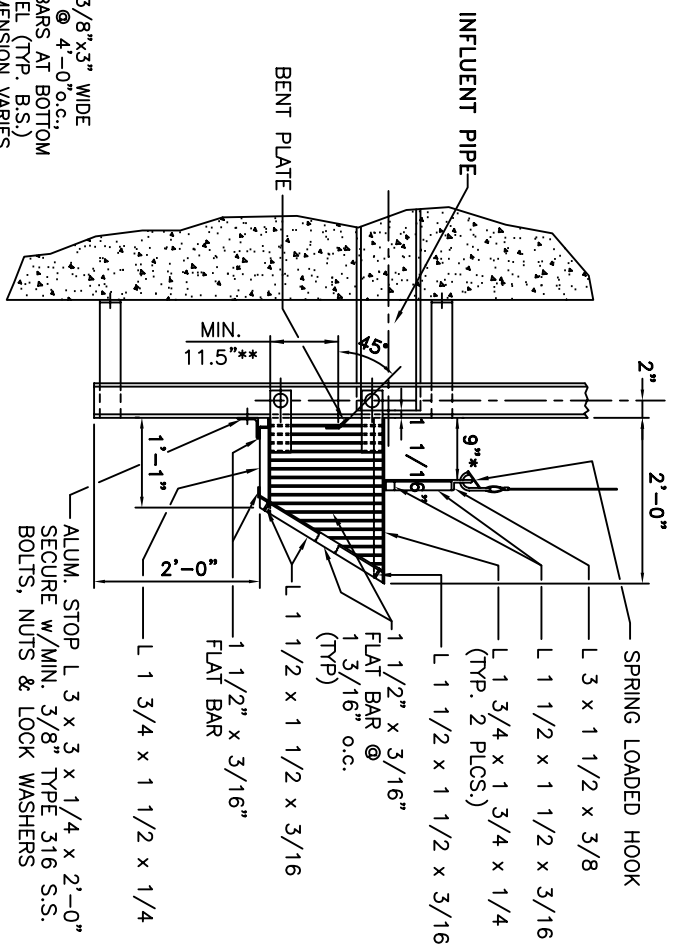


FRONT VIEW

DRILL 5/8" HOLE w/1/2"x4" EMBED.
TYPE 316 S.S. ANCHOR BOLTS (TYP)



PLAN



SIDE VIEW

NOTES(BAR SCREEN)

- * CONTRACTOR TO COORDINATE DIMENSION IN ORDER TO PROVIDE A DIRECTLY VERTICAL ALIGNMENT FOR THE BAR SCREEN CABLE.
- ** PROVIDE 1 1/2" x 3/16" @ 1 3/16" CENTER TO CENTER FLAT BARS ON BACK SIDE OF BAR SCREEN FOR ENTIRE 11 1/2" DEPTH.
- BAR SCREEN WIDTH SHOWN IS FOR EIGHT INCH (8") SANITARY SEWER PIPE. BAR SCREEN WIDTH SHALL BE INCREASED WITH CORRESPONDING INCREASE IN SANITARY SEWER PIPE DIAMETER.
- ALL MATERIALS UTILIZED TO FABRICATE AND INSTALL THE BAR SCREEN SYSTEM SHALL BE EITHER ALUMINUM ALLOY 6061-T6 OR 6063-T6, TYPE 316 STAINLESS STEEL (S.S.) OR FIBERGLASS.
- BASKET SIZES SHALL BE BASED ON FLOW AND P.S. CONDITIONS.

BY	DATE	REVISIONS

TOWNSHIP OF FLORENCE
WATER & SEWER DEPARTMENT

REMOVABLE BAR SCREEN AND LADDER	DATE : 6/05 DWN BY :
------------------------------------	----------------------------